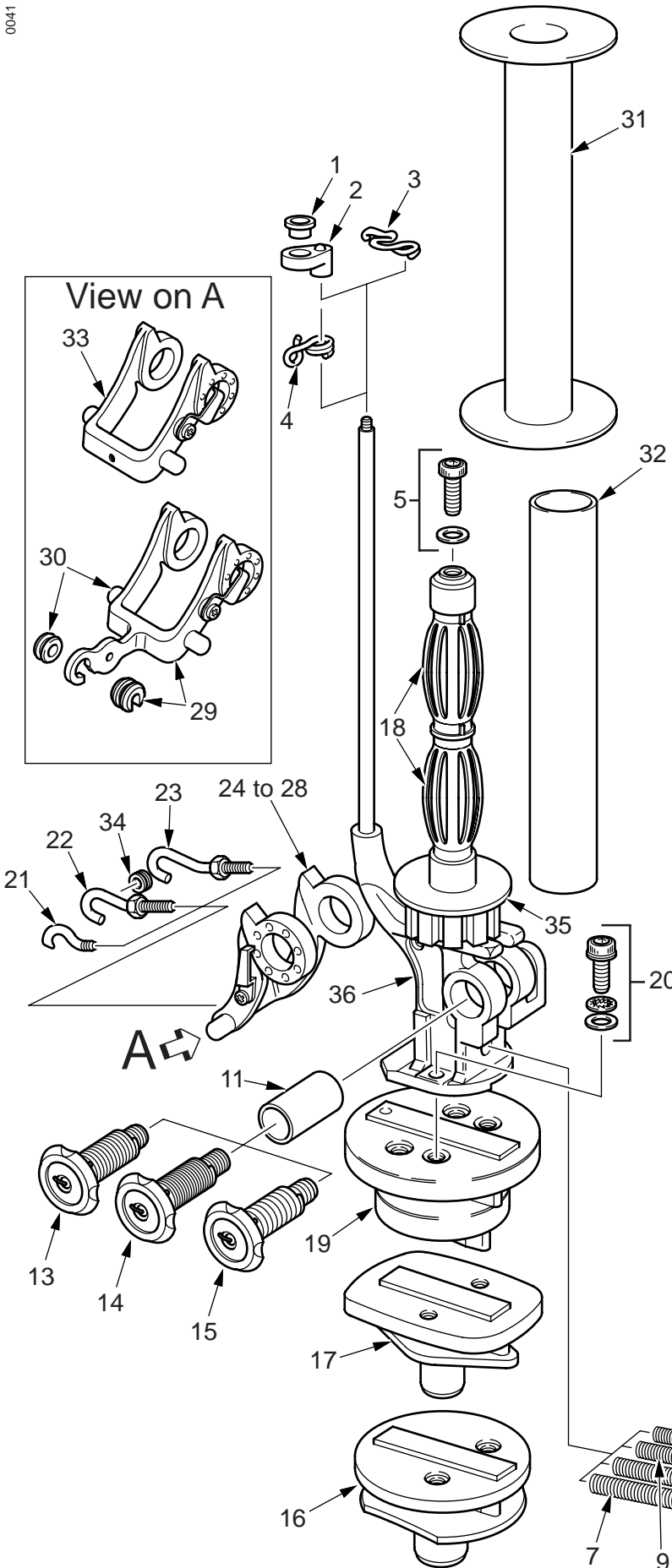


Cobra 250 Carrier With Cobra 250 Bobbin or Paper/Plastic Tube

0041



Item	Part No.	Description
1	TAM 1527	Top Eyelet (White)
2	D.2004	Top Eyelet Holder
3	D.2006	Top Pigtail
4	D.2005	Centre Pigtail
5		M5x10 LG Socket Cap Hd Screw + M5 'C' Plain Washer
6	D.2008	Plunger
7	D.2002/01	Plunger Spring Std 0.012"
8	D.2002/02	Plunger Spring H/D 0.016"
9	D.2002/03	Plunger Spring Light Duty 0.0108"
10	D.2002/04	Plunger Spring Micro Duty 0.0084"
11	D.2003	Bush
12	D.2051	Pawl
13	D.2058/01	Tension Spring Unit Std. (red)
14	D.2058/02	Tension Spring Unit Heavy (black)
15	D.2058/03	Tension Spring Unit Light (blue)
16	D.2026	'H' Foot
17	D.2046	'C' Foot
18	BV 7619	Balloon Springs (2off)
19	C/0372	Cobra 250 Foot
20		M5x12 LG Socket Cap Hd Screw + Plain Washer + Int. Shakeproof Washer
21	D.2018	Short Hook
22	D.2063	Med Hook MK II
23	D.2050	Long Hook MK II
24	D.2054	Modified Lever + Long Hook
25	D.2055	Modified Lever + Short Hook
26	D.2071	Modified Lever + Med Hook
27	D.2066	Modified Lever + Long Hook + eye DF6
28	D.2067	Modified Lever + Med Hook + eye DF6
29	D.2052	Long Lever + Split eye SH 578
30	D.2053	Long Lever + Round eye DF 6 (Pink)
31	D.2044	250 Bobbin 55Ø x 135T
32	D.2065	Cop Tube (250 Carrier)
33	D.2027	Modified Lever ONLY (to suit hook - Tapped 4BA)
34	DF6	Round Eyelet (Pink)
35	D.2048	Copholder - With Or Without Lugs
36	D.2033	Cobra 250 Carrier Body

Strict accuracy of illustrations or printed matter is not guaranteed. Modifications of design and materials may be necessary subsequent to publication.