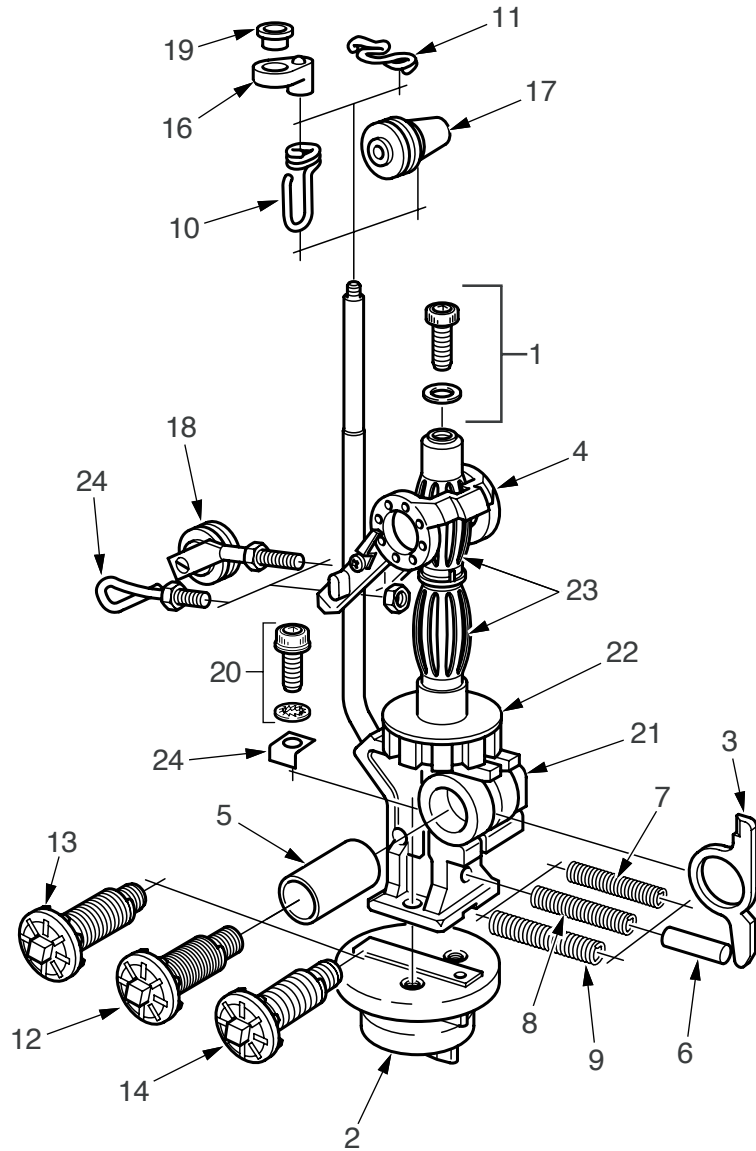


# Cobra No. 5 Carrier For Paper Tube/Plastic Tube



| Item | Part No  | Description   |
|------|----------|---|
| 1    |          | M5x10Lg. Socket Hd Cap Screw Ø5 + Plain Washer Ø5         |
| 2    | C0050    | 450 Carrier Foot  |
| 3    | C0052    | Pawl  |
| 4    | C0054/02 | Arm M4 (Orange)   |
| 5    | C0059    | Bush  |
| 6    | C0060    | Plunger   |
| 7    | C0061/03 | Plunger Spring .018in                                     |
| 8    | C0061/04 | Plunger Spring .020in                                     |
| 9    | C0061/05 | Plunger Spring .022in                                     |
| 10   | C0082    | J. Hook   |
| 11   | C0083    | Top Pigtail   |
| 12   | C0106/03 | Torsion Spring Unit Light (Black)                         |
| 13   | C0106/04 | Torsion Spring Unit Heavy (Orange)                        |
| 14   | C0106/05 | Torsion Spring Unit Extra Heavy (Yellow)                  |
| 15   | C0203/02 | Enclosed Long Hook  |
| 16   | C0260    | Top Eyelet Holder   |
| 17   | C0359    | Centre Roller Assembly (Specify Roller Width)             |
| 18   | C0360    | Lever Roller Assembly (Specify Roller Width)              |
| 19   | TAM1580  | Top Ceramic Eye (Pink)                                    |
| 20   |          | M6x14Lg. Socket Hd Cap Screw Ø6. + Int. Shakeproof Washer |
| 21   | C0340    | Carrier Body  |
| 22   | C0261    | No. 5 Cop Holder - No Flange Lugs                         |
| 23   | BV7619   | Ballon Springs (2 off)                                    |
| 24   | C1139    | 'L' Clamp   |

**Additional Information**

**Threadlocker - Loctite 270 or equivalent** Use to securely fix the following:

1 ..... M5 Socket Hd Cap Screw to fit copholder  
 11 ..... C0083 Top Pigtail to fit to Carrier body  
 20 ..... M6 Socket hd Cap Screw to fit the Carrier body to the Foot

**Araldite Precision or equivalent** Use to securely fix the following to the "Orange" Arm

15 ..... Enclosed long hook  
 18 ..... Lever Roller Assembly

**NEB bobbin**

21 ..... Carrier body - this may have a height extension fixed to the spindle for the NEB No 2 bobbin range. Consult Cobra

C0947 ..... 8 tooth Ratchet fitted (part not illustrated)  
 C1022 ..... Bobbin clip fitted (part not illustrated)

**Yellow Torsion Spring**

14 ..... Yellow spring is only recommended for braiding stainless steel

**Hooks or Rollers?**

Rollers are fitted to the carriers for braiding wire or metal to reduce wear. Some other textile materials suit rollers such as glass fibre.

0038

Strict accuracy of illustrations or printed matter is not guaranteed. Modifications of design and materials may be necessary subsequent to publication.