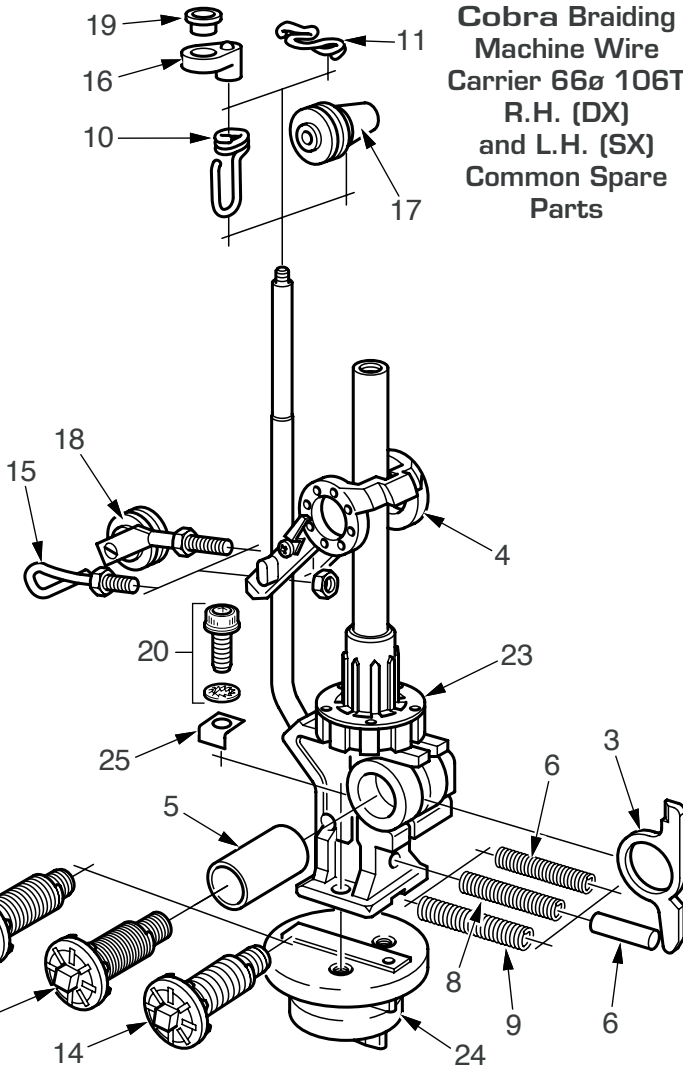


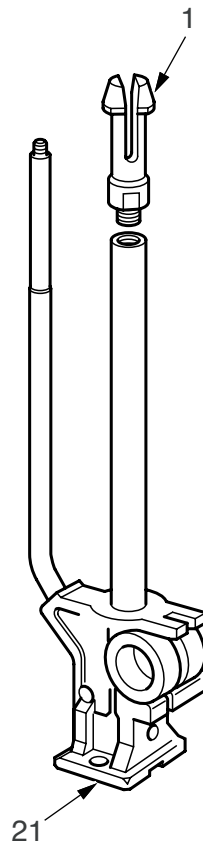
# Cobra Wire Carrier For Wardwell Bobbins

0037

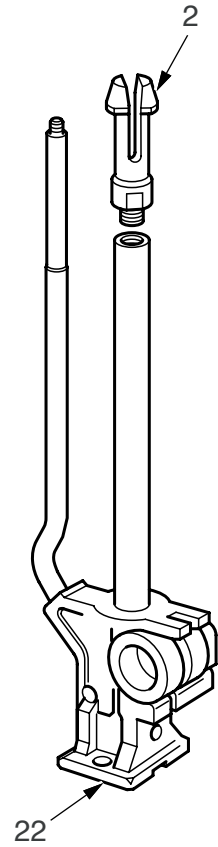


**Cobra Braiding Machine Wire Carrier 66ø 106T R.H. (DX) and L.H. (SX) Common Spare Parts**

**Cobra Braiding Machine Wire Carrier 66ø 106T R.H. (DX) Spare Parts**



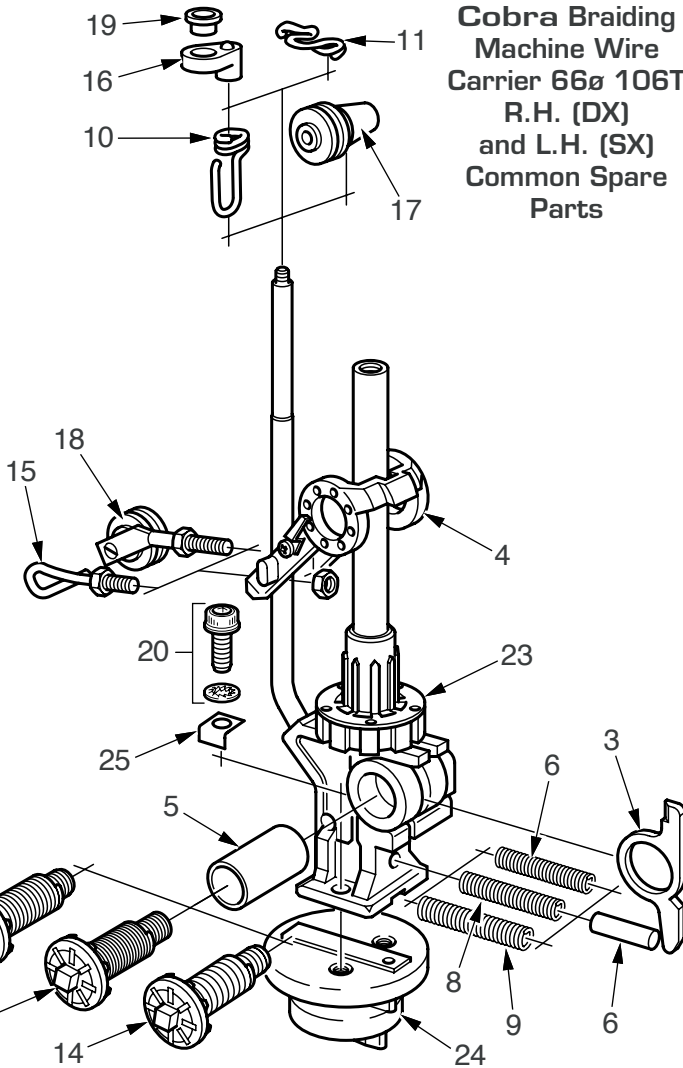
**Cobra Braiding Machine Wire Carrier 66ø 106T L.H. (SX) Spare Parts**



Item	Part No.	Description
1	C0031 (Black)	Bobbin Clip
2	C0031 (Orange)	Bobbin Clip
3	C0052	Pawl
4	C0054/02	Arm M4 (Orange)
5	C0059	Bush
6	C0060	Plunger
7	C0061/03	Plunger Spring .018 in
8	C0061/04	Plunger Spring .020in
9	C0061/05	Plunger Spring .022in
10	C0082	J. Hook
11	C0083	Top Pigtail
12	C0106/03	Torsion Spring Unit Light (Black)
13	C0106/04	Torsion Spring Unit Heavy (Orange)
14	C0106/05	Torsion Spring Unit Extra Heavy (Yellow)
15	C0203/02	Enclosed Long Hook
16	C0260	Top Eyelet Holder
17	C0359	Centre Roller Assembly (Specify Roller Width)
18	C0360	Lever Roller Assembly (Specify Roller Width)
19	TAM1580	Top Ceramic Eye (Pink)
20		M6x14Lg. Socket Hd Cap Screw Ø6. + Int. Shakeproof Washer
21	C0636	Wire Carrier Body R.H. (DX)
22	C1193	Wire Carrier Body L.H. (SX)
23	C/0651	10T Wire Bobbin Ratchet (2 off)
24	C0050	450 Carrier Foot
25	C1139	'L' Clamp

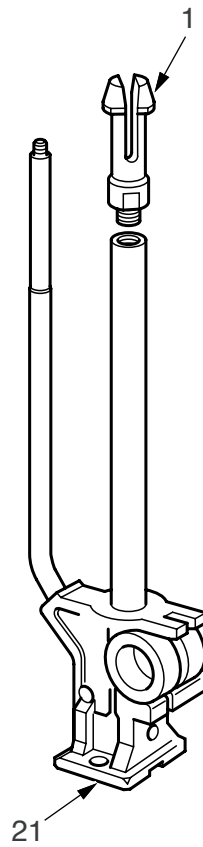
# Cobra Wire Carrier For Wardwell Bobbins

0037



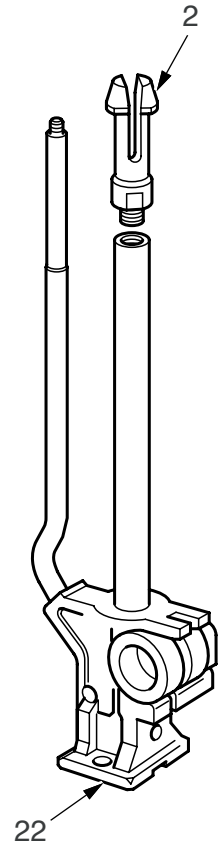
**Cobra Braiding Machine Wire Carrier 66ø 106T R.H. (DX) and L.H. (SX) Common Spare Parts**

**Cobra Braiding Machine Wire Carrier 66ø 106T R.H. (DX) Spare Parts**



21

**Cobra Braiding Machine Wire Carrier 66ø 106T L.H. (SX) Spare Parts**



22

Item	Part No.	Description
<b>Additional Information</b>		
<b>Wardwell Bobbin</b>		
There are two Wardell bobbins which will fit onto this Carrier. They are commonly known as;		
Wardwell 16 bobbin		
Wardwell 24 bobbin		
16 carrier bobbin		
24 carrier bobbin		
There are also other equivalent trade names such as Hacoba and CPlas which are of similar dimensions. For the 16 carrier bobbin a Spacer (not illustrated) is fitted between the top of the bobbin and the bobbin clip.		
<b>Centre Roller Assembly</b>		
Please refer to the Troubleshooting section of the manual. This part should be located midpoint of the bobbin. This will ensure an even angle when the wire is paid off from the bobbin.		
<b>Roller Width</b>		
Two sizes are available.		
<b>Threadlocker - Loctite 270 or equivalent</b> Use to securely fix the following:		
1		M5 Socket Hd Cap Screw to fit copholder
11		C0083 Top Pigtail to fit to Carrier body
20		M6 Socket hd Cap Screw to fit the Carrier body to the Foot
<b>Araldite Precision or equivalent</b> Use to securely fix the following to the "Orange" Arm		
15		Enclosed long hook
18		Lever Roller Assembly
<b>Yellow Torsion Spring</b>		
14		Yellow spring is only recommended for braiding stainless steel
<b>Hooks or Rollers?</b>		
Rollers are fitted to the carriers for braiding wire or metal to reduce wear. Some other textile materials suit rollers such as glass fibre.		