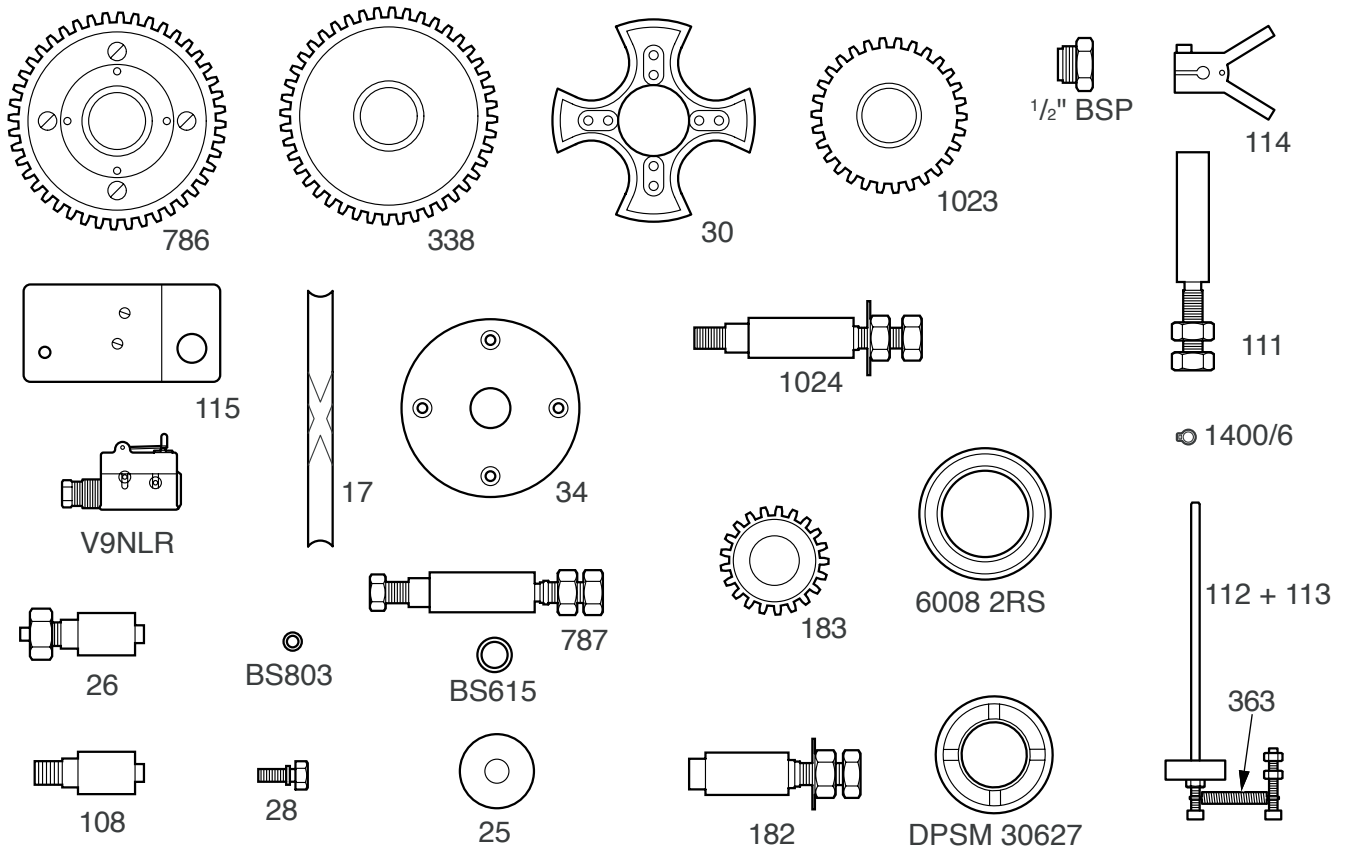


Cobra Track Parts



| Part No. | Description | Part No. | Description |
|---------------|----------------------------|------------|------------------------------|
| T0017 | Crossover | T0115 | Limit Switch Plate |
| T0025 | Retaining Washer | T0182 | 21T Idler Axle + Washer |
| T0026 | Staypillar | T1030A | 21T Idler Gear MK1 |
| T0787 | Axle MKII | T0338 | 44T Idler Gear MKII |
| T0028 | Staypillar Screw | T0363 | Spring |
| T0786 | Horn gear Base (44T) MKII | 6008 2RS | Ball Bearing |
| T0030 | Horn (4 Slot) | DPSM 30627 | Oil Seal |
| T0034 | Horn gear Disc | BS803 | Ø 10 'O' Ring |
| T1023 | 30T Idler Gear MKII | BS615 | Ø 18 'O' Ring |
| T0108 | Lockplate Staypillar | V9NLR | Metal Housed Limit Switch |
| T1024 | Idler Axle and Washer MKII | 1400/6 | Ø 6 Circlip |
| T0111 | Limit Switch Journal | T1025 | Oil Tube Journal (not shown) |
| T0112 + T0113 | Cam + Actuator Shaft | | |
| T0114 | Actuator Arm | | |

Additional Information

Shims

Not shown - are used to level the track plate and the gears. This ensures that the carriers run on a level surface.

Idler gears

There are different combinations of idler gears depending on the number of carriers and motors.

- 16 carrier..... 44T idler gear
- 24 carrier..... 44T idler gear
- 32 carrier..... 30T idler gear x2
- 36 carrier..... 30T/44T 1 motor. 44T/44T 2nd motor
- 40 carrier..... 30T/44T 1 motor. 21T/44T 2nd motor
- 48 carrier..... 44T/44T 1 motor. 30T/44T 2nd motor

Strict accuracy of illustrations or printed matter is not guaranteed. Modifications of design and materials may be necessary subsequent to publication.